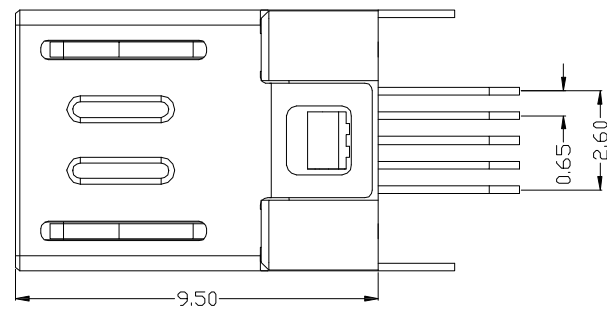


PCB LAYOUT MOUNTING PATTERN



CONTACT NUMBER	SIGNAL NAME
PIN 1	VBUS
PIN 2	D-
PIN 3	D+
PIN 4	ID
PIN 5	GND

SPECIFICATIONS

Electrical:

- 1.Current Rating: 1.0A / contact terminal
- 2.Voltage Rating: 30V DC
- 3.Contact Resistance: 30 mΩ Max
- 4.Dielectric Withstanding Voltage: 100 V AC
- 5.Insulation Resistance: 100 MΩ Min

Mechanical:

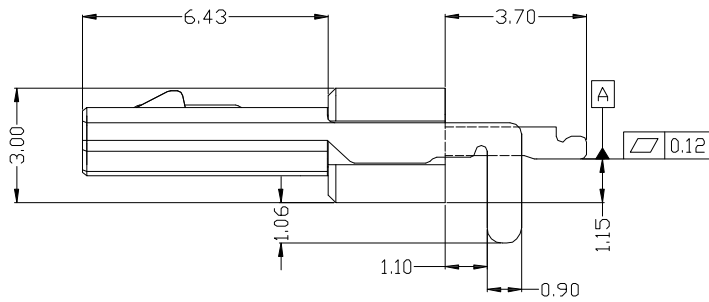
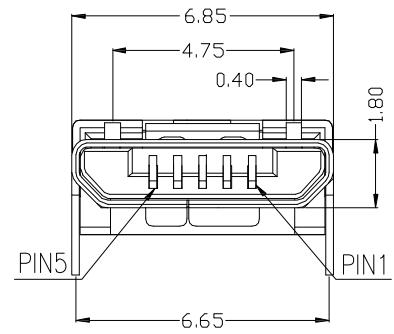
- 1.Mate force: 35N (Max)
- 2.Withdrawal force: 8N (Min) , initial

Material:

- 1.Hook: SUS 301
- 2.Contact: Phosphor Bronze
- 3.Shell: SUS 301
- 4.Insulator: Temperature Thermal Plastics,UL94V-0

Finish:

- 1.Contact: Plated Gold in Mating Area ;
Tin Plated on Solder Balls ;
Nickel under plated overall
- 2.Shell: Nickel under Plated surface layer



CONTACT 建倚科技股份有限公司
CONTACT TECHNOLOGY CORP.

TOLERANCE UNLESS OTHERWISE STATED :
Up to 5 ±0.2
Above 5 ~ 15 ±0.3
Above 15 ~ 30 ±0.4
Above 30 ~ 50 ±0.5
Angle ±0.3

3RD. ANGEL'S

UNITS MM

DRAWN BY:	DATE	MAT'L	TITLE	CONNECTOR
Jack Lu	04/01/15		MODLE	MICRO USB 5P/M 板端 SMT TYPE
CHECKED BY:	DATE	FINISH	SCALE	1 : 1
Jacky Chen	04/01/15		DWG NO.	MRUSB-5PLM-S306
APPROVED BY:	DATE	SHEET NO.	PART NO.	MRUSB-5PLM-S306
Tony Kao	04/01/15	1 of 1		

ITEM NO.	DESCRIPTION	DRAWN	DATE